

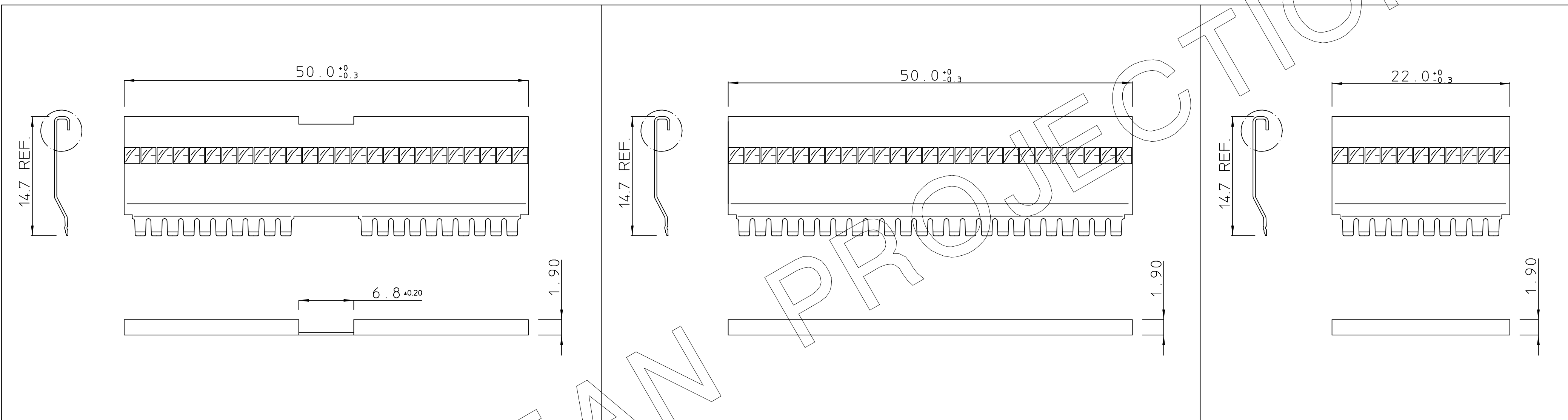
GEN. ST.	01	02	03	04	05	06	07	08	0D	50	60	70	80	90																	
INT. ST.	10	11	12	13	14	18	20	31	32	33	34	38	39	40	42	43	44	45	46	48	56	70	72	73	75	76	81	82	83	84	88

REV.	DATE	DESCRIPTION	BY	C'K'D'
A	24-09-01	CONVERSION REVISION 04	KN	
B	24-10-01	B10074	MF	

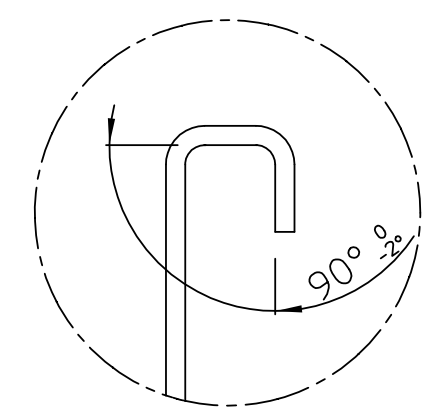
HM2SC22B(V1)

HM2SC25B(V1)

HM2SC11B(V1)



DETAIL



NOTES:

- MAKE SURE TO USE THE ACCORDING SHIELDING COVER FOR THE RECEPTACLE CONNECTORS:
 HM2SC22B(V1) FOR TYPE A
 HM2SC25B(V1) FOR TYPE B
 HM2SC11B(V1) FOR TYPE C
 HM2SC11B(V1) FOR TYPE M
 HM2SC11B(V1) FOR TYPE D
- PCB RANGE : 2.4 - 3.5 mm MAX.

1DEC ±0,2 1DEC 2DEC ±0,1 2DEC ANGLES ±1° HOEKEN	APPR.	DATE	SIGN.	MPACS 5+2R RA RCP SHIELDING COVER
WE RESERVE THE RIGHT TO CHANGE DIMENSIONS OR REQUIREMENTS WITHOUT PRIOR NOTICE.	DRAFT	130193	W.Panis	CAT. No. HM2SC--B(V1)
ALL DIMENSIONS IN MM	CHECKED			SCALE
	PROD. MGR.			FCI MECHELEN N.V. A. SPINOYSTRAT 8, 2800 MECHELEN
	PR. ENG. MGR.			
ALLE AFMETINGEN IN MM	PR. MGT. MGR.			REFERENCES / REFERENTIES
				BS,C ,201578,004
				DRAWING No. CUSTOMER DRAWING
				REVISION B

THIS IS OUR EXCLUSIVE PROPERTY. IT IS NOT TO BE COPIED, REPRINTED OR DISCLOSED TO A THIRD PARTY, NOR USED FOR MANUFACTURING WITHOUT OUR WRITTEN CONSENT, AND HAS TO BE RETURNED TO US IN CASE OF NO USAGE

DIT IS ONZE EIGENDOM EN MAG NOCH NAGEMAAKT, HERDRUKT, OVERGEMAAKT AAN DERDEN, NOCH VOOR FABRIKATIE GEBRUIKT WORDEN, ZONDER ONZE SCHRIFTELIJKE TOELATING. BIJ NIET GEBRUIK IS TERUGZENDING VERPLICHT.